

Attic Breeze[®]

America's Leader in Solar Powered Ventilation

Installation Guide



AeroBreeze™ CMA Model Series Fans PRO, HP, and MAX



Local building codes supercede installation instructions. Installation must comply with all local building codes and roofing manufacturer requirements. Improper installation may void warranty.



ATTENTION: PLEASE READ THROUGH THIS ENTIRE INSTRUCTION GUIDE BEFORE PROCEEDING WITH YOUR INSTALLATION. MAKE SURE YOU HAVE THE REQUIRED TOOLS AND MATERIALS TO COMPLETE THE INSTALLATION OF YOUR SOLAR ATTIC FAN BEFORE BEGINNING.

Getting Started

Your **AeroBreeze™** curb-mount solar attic fan is designed for easy installation with metal roofs, tile roofs, or roofs featuring other high-profile materials where a roof curb is required for proper installation. If installing our products on a composite shingled roof or a similar low-profile roof type, please contact Attic Breeze for information on our self-flashing fans designed for those roof types.

AeroBreeze™ fans include integrated automatic temperature control, as well as a fire safety switch. You do not need to adjust the temperature controller, it will automatically activate the fan when the attic temperature reaches roughly 75°-80°F (24°-27°C) and will stop fan operation when the attic temperature reaches roughly 65°-70°F (18°-21°C).



Your local building code may require specific fasteners or anchoring systems not discussed in this installation guide. If installing this product in an area of either Florida or Texas that has been designated as a high velocity wind zone area, review applicable building code requirements for additional installation instructions.



ATTENTION: KEEP THE SOLAR PANEL COVERED DURING INSTALLATION. After the control switch is connected, your **AeroBreeze™** solar fan may begin operating immediately when exposed to sunlight.

What's Included



Self-Tapping Screws with Rubber Bonded Washers



Weatherproof Roofing Grade Sealant

What's Needed



Cordless Drill with Nut Driver



Reciprocating Saw



Measuring Tape

Safety Information

Safety precautions should be taken when performing the roofing work described in this installation guide. You can significantly reduce your risk of danger by following the below recommendations:

- Do not perform roofing work in wet or windy conditions
- Tie-off both yourself and your equipment when working on steep pitched roofs to avoid falls
- Wear safety glasses and protective gloves when using power tools
- Always wear slip-resistant shoes when working on the roof
- Do not cut through any rafters or structural members of the roof during installation
- Leave the solar panel covered until your installation is complete

Choosing the Right Location

Choose a location to install your solar attic fan that allows for balanced air flow throughout the attic space. The solar fan should be installed roughly centered on the roof and 3-4 feet below the ridge line. For optimum performance, choose an area on the south side of your roof that is not shaded or blocked from the sun for extended periods throughout the day. If a location on the southern side of your roof is not available, you may raise the solar panel mounting bracket and face the fan unit toward the south for better sun exposure. Your solar attic fan should not be installed any closer than within 10 feet to an existing passive vent, ridge vent, or additional fan unit.

Ventilation Requirements

In order for your AeroBreeze™ solar attic fan to operate at maximum performance, your attic must have enough intake ventilation (net free area) to support the amount of air that your fan is moving.

Installing the Fan

Step 1 - Cut the Hole

Begin by removing roof tiles in the area where the roof curb will be installed. Find the closest rafter to that location and determine if your roof has either 16" on center or 24" on center rafter spacing. If your roof has 24" on center rafter spacing, find the center point between two rafters and mark it as the center of the vent hole. For roofs with 16" on center spacing, mark the rafter itself as the center of the vent hole. Using the center point mark as a reference point, trace out a 15-1/2" x 15-1/2" square around the center point. Next, use a reciprocating saw to cut out the traced pattern from the roof decking. Remove the cut out decking material from around the hole as needed.



ATTENTION: DO NOT CUT THROUGH ANY RAFTERS OR STRUCTURAL MEMBERS WHILE CUTTING THE VENT HOLE. ONLY CUT OUT THE ROOF DECKING.

Step 2 - Install the Roof Curb

The roof curb should be constructed with outside dimensions of 18 1/2" x 18 1/2" x 6" and designed to support a weight load of at least 30 LBS.

Mount your roof curb to the framing structure or decking of the roof as required. Remove battens as needed in order to mount the roof curb flush to the decking. Position the roof curb over the vent hole, squaring the curb with your roof tiles. Securely fasten the roof curb in place and replace roof tiles as needed up to the installed curb. Secure the tiles as needed and flash in the roof curb installation as required for your choice of flashing system.

Step 3 - Mount the Fan

Remove all packaging material and tape from your fan. Position the fan so that it is centered with the vent hole and allow the control cable to hang freely from the bottom of the fan unit.

Caulk around the top of the roof curb box using the weatherproof sealant (see Figure 3) and position the fan over the roof curb (see Figure 4). Align the fan unit with the vent hole so that the sticker "INSTALL THIS SIDE TOWARDS GROUND" is facing the correct direction. The fan unit can also be turned 90 degrees from this position to allow for better solar panel sun exposure if needed (ex. East or West facing roof orientation).

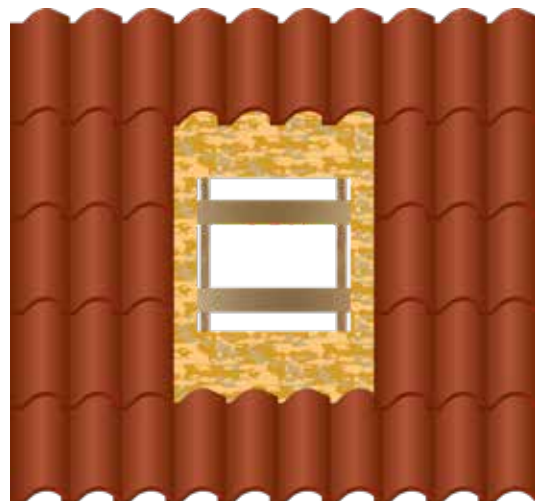
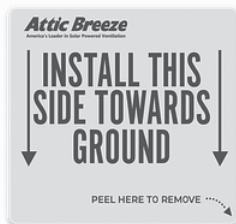


Figure 1 - Cutting the Hole

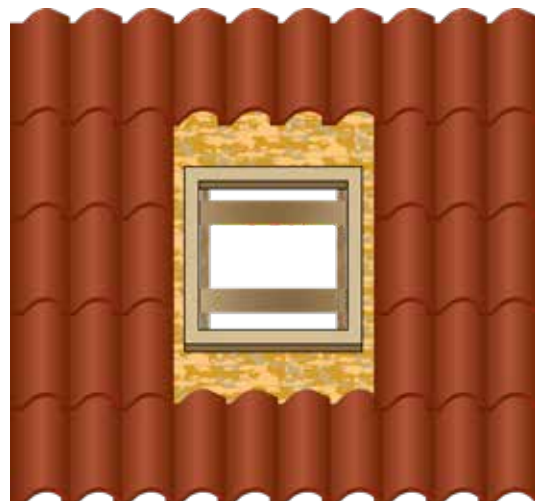


Figure 2 - Installing the Roof Curb

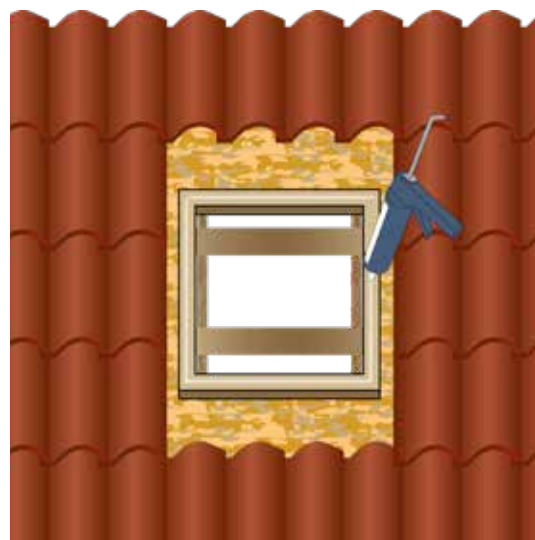


Figure 3 - Caulking the Curb

Step 3 - Mount the Fan (continued)

With all fan cables connected and hanging inside the roof curb, mount the fan unit over the roof curb box and flashing, securing the fan to the sides of the roof curb box using three self-tapping screws per side. Apply additional sealant to weatherproof the installation as needed.

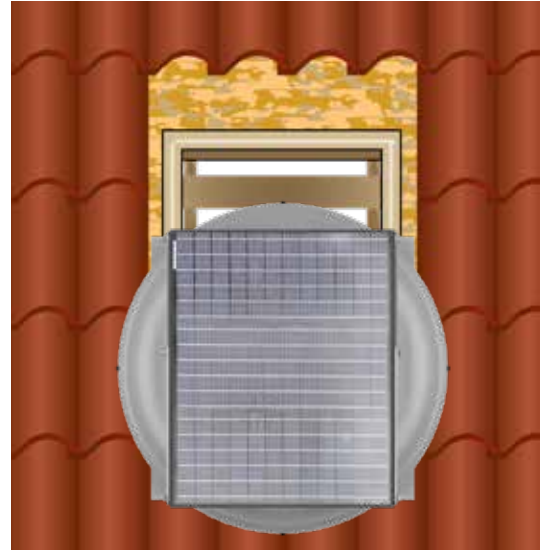


Figure 4 - Mounting the Fan

Adjusting the Solar Panel

The solar panel on your Attic Breeze solar attic fan may either be left down in the horizontal mounted position as received from the factory, or the solar panel bracket may be raised to pivot the solar panel toward the south in order to get better sun exposure.

To raise the solar panel, first loosen the set bolts on the solar panel mounting brackets using a 7/16" wrench as shown in Figure 5. Raise the solar panel to the desired tilt angle using the provided adjustment slots and tighten the set bolts.

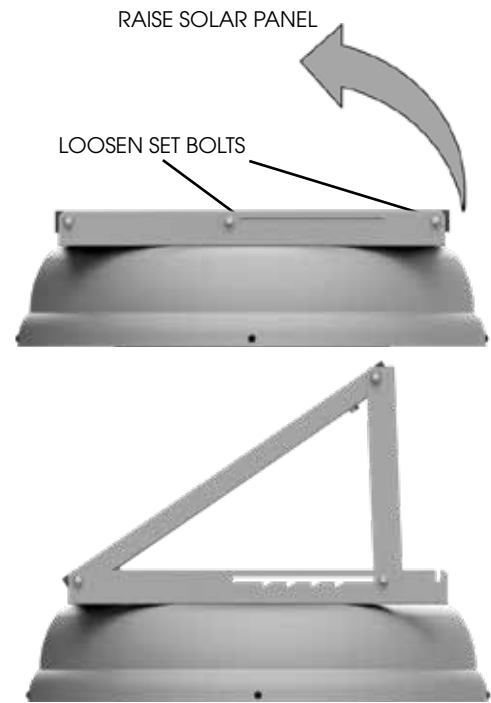


Figure 5 - Adjusting the Solar Panel



DO NOT OVER TIGHTEN THE SET BOLTS! You may damage your bracket if too much torque is applied to the set bolts.



ATTENTION: Do not raise the solar panel if installing this product in an area of either Florida or Texas that has been designated as a high velocity wind zone area. The solar panel must remain in the flat horizontal position due to building code requirements.

Warranty Registration

Attic Breeze offers an industry leading **LIMITED PARTS LIFETIME WARRANTY** on your new solar attic fan. For more information about the terms and conditions of our warranty, please see our website for details. Thank you for choosing Attic Breeze!



YOUR WARRANTY MUST BE REGISTERED WITHIN 90 DAYS OF INSTALLATION. Please visit our website at www.atticbreeze.com or scan the QR code to register your warranty.



www.atticbreeze.com

Copyright © 2026 Attic Breeze, LLC. All rights reserved.